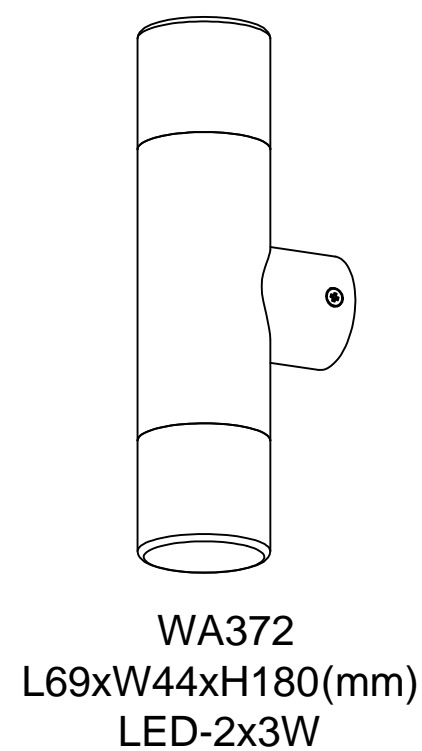
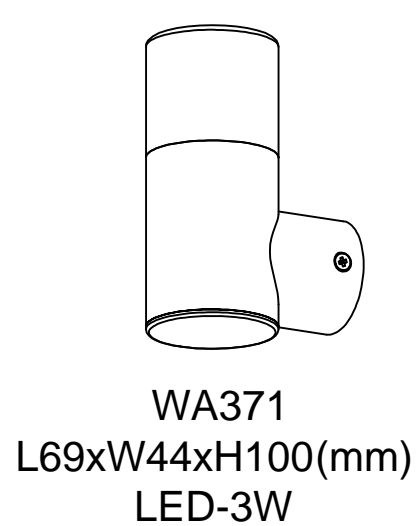
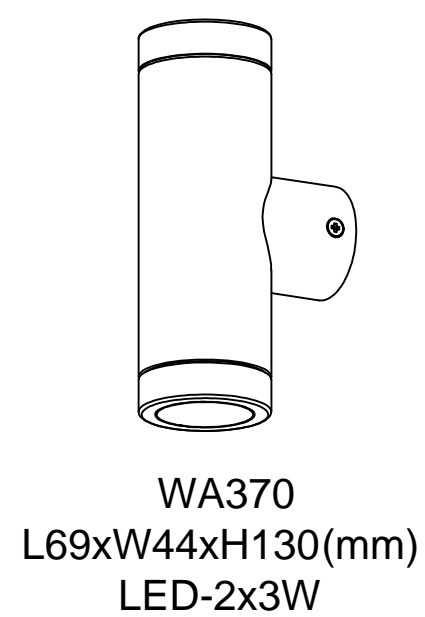
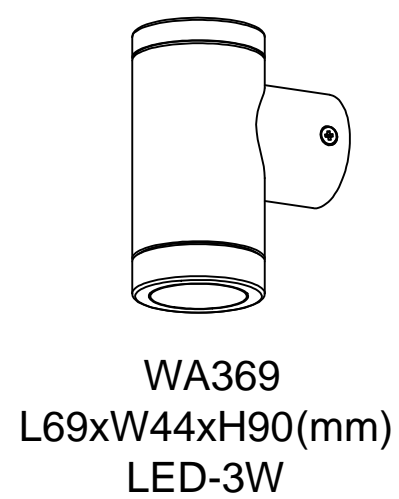
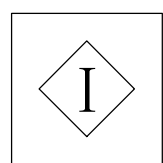
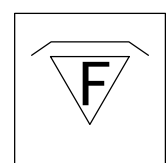
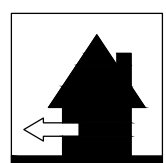
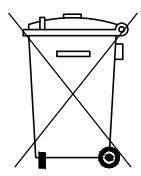


01. SWITCH OFF MAIN
02. MAKE HOLE PATTERN
03. INSTALL THE BASE PLATE
04. CONNECT LAMP TO THE MAIN
05. DRIVE IN THE SCREWS UNTILL TIGHT
06. SWITCH ON THE MAIN
07. LIGHT ON



Lamp: CREE COB LED  
 Color: 2700K/3000K/4000K/6000K  
 Color rendering: Ra90  
 Input: 100V-240V AC  
 Current: Constant 300mA  
 Frequency: 50/60Hz  
 Watt: 3W/6W  
 Life span: 20,000hrs  
 Operating temp: -20°C--+40°C  
 IP65  
 Dimmable: NO

Cautions: a. Installed by qualified electrician  
 b. Use only power-supply supplied by manufacturer for products guarantee