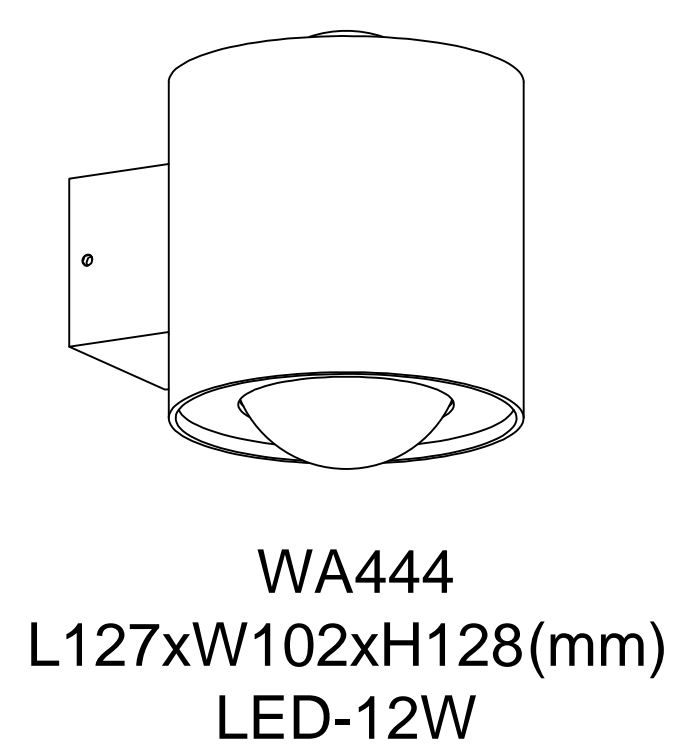
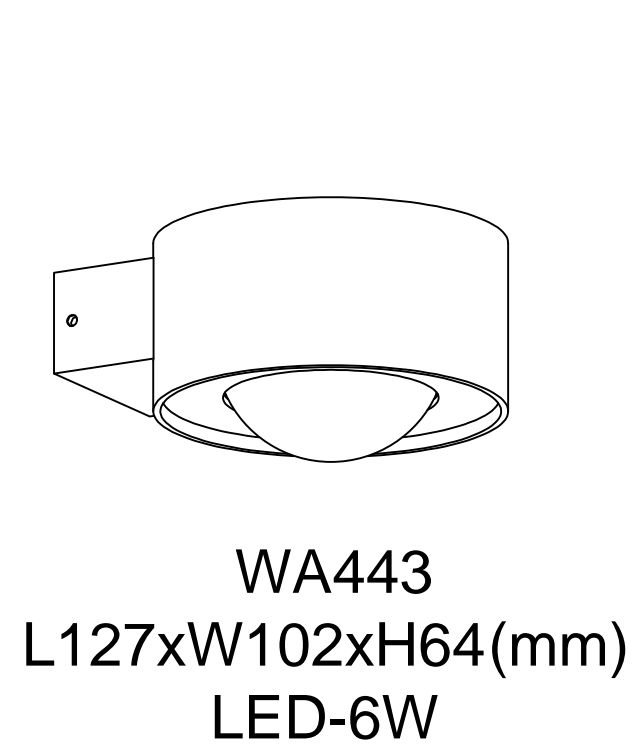
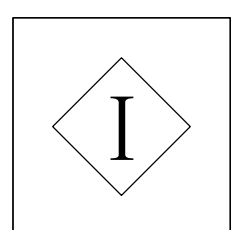
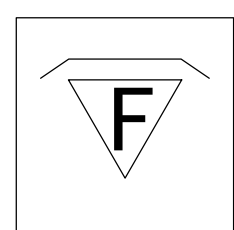
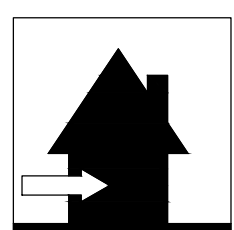
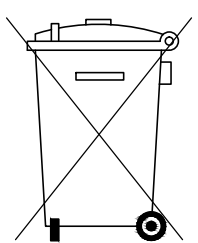
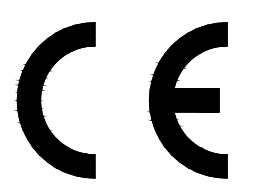


- 1.SWITCH OFF MAIN
- 2.MAKE HOLE PATTERN
- 3.INSTALL THE BASE PLATE
- 4.CONNECT LAMP TO THE MAIN
- 5.DRIVE IN THE SCREWS UNTILL TIGHT
- 6.SWITCH ON THE MAIN AND LIGHT ON



Lamp: CREE XML LED
 Color: 2000K
 Color rendering: Ra80
 Input: 100V-240V AC
 Current: Constant 2000mA
 Frequency: 50/60Hz
 Watt: 6W/12W
 Life span: 20,000hrs
 Operating temp: -20°C --+40°C
 Indoor use only
 IP20
 Dimmable: NO

Cautions: a.Installed by qualified electrician
 b.Use only power-supply supplied
 by manufacturer for products guarantee