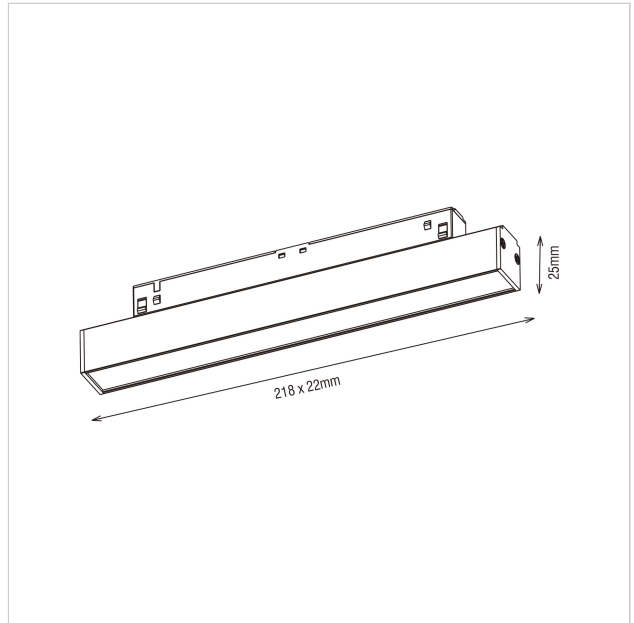


Linea-Q1/Q2 OPAL S



<b>SKU</b>	: Q653DW93090F0
<b>Housing material</b>	: Aluminum Die Cast
<b>Luminaire Color</b>	: White
<b>Optic</b>	: Opal
<b>Power supply</b>	: Included ON/OFF
<b>Luminaire dimension</b>	: 218x22x25mm
<b>Luminous Flux (lm)</b>	: 850 lm
<b>System power</b>	: 14W
<b>System efficiency</b>	: 71lm/W
<b>Beam angle (°)</b>	: 90°
<b>CCT (K)</b>	: 3000K
<b>CRI</b>	: 90
<b>Chromaticity tolerance</b>	: 3 MacAdam
<b>Mains Voltage</b>	: 48V
<b>EI. Class</b>	: Class III
<b>Lifetime</b>	: 50000h
<b>IP rating</b>	: IP20
<b>Warranty</b>	: 5Y

All rated values @ ambient temperature of 25° C. Electric and photometric values are initially subject to a tolerance of +/- 10%. Tolerance of color temperature +/- 150K. Technical data can change without prior notice.

