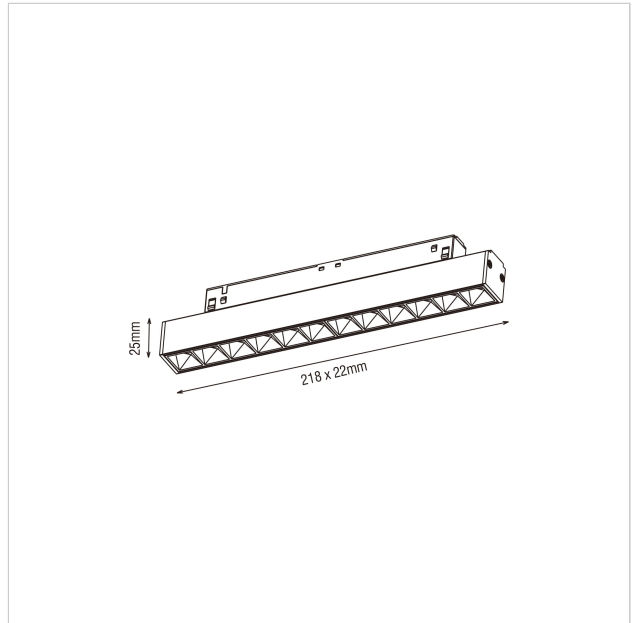


Linea-Q1/Q2 LENS S



SKU	: Q651DB93015F0
Housing material	: Aluminum Die Cast
Luminaire Color	: Black
Optic	: Reflector
Power supply	: Included ON/OFF
Luminaire dimension	: 218x22x25mm
Luminous Flux (lm)	: 1000 lm
System power	: 14W
System efficiency	: 71lm/W
Beam angle (°)	: 15°
CCT (K)	: 3000K
CRI	: 90
Chromaticity tolerance	: 3 MacAdam
Mains Voltage	: 48V
EI. Class	: Class III
Lifetime	: 50000h
IP rating	: IP20
Warranty	: 5Y

All rated values @ ambient temperature of 25° C. Electric and photometric values are initially subject to a tolerance of +/- 10%. Tolerance of color temperature +/- 150K. Technical data can change without prior notice.

