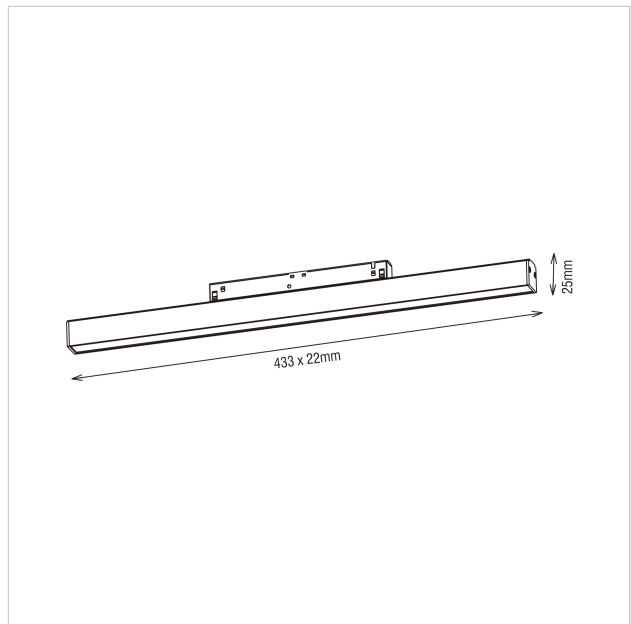


Linea-Q1/Q2 OPAL L



SKU	: Q654HW94090F0
Housing material	: Aluminum Die Cast
Luminaire Color	: White
Optic	: Opal
Power supply	: Included ON/OFF
Luminaire dimension	: 433x22x25mm
Luminous Flux (lm)	: 1800 lm
System power	: 28W
System efficiency	: 70lm/W
Beam angle (°)	: 90°
CCT (K)	: 4000K
CRI	: 90
Chromaticity tolerance	: 3 MacAdam
Mains Voltage	: 48V
EI. Class	: Class III
Lifetime	: 50000h
IP rating	: IP20
Warranty	: 5Y

All rated values @ ambient temperature of 25° C. Electric and photometric values are initially subject to a tolerance of +/- 10%. Tolerance of color temperature +/- 150K. Technical data can change without prior notice.

