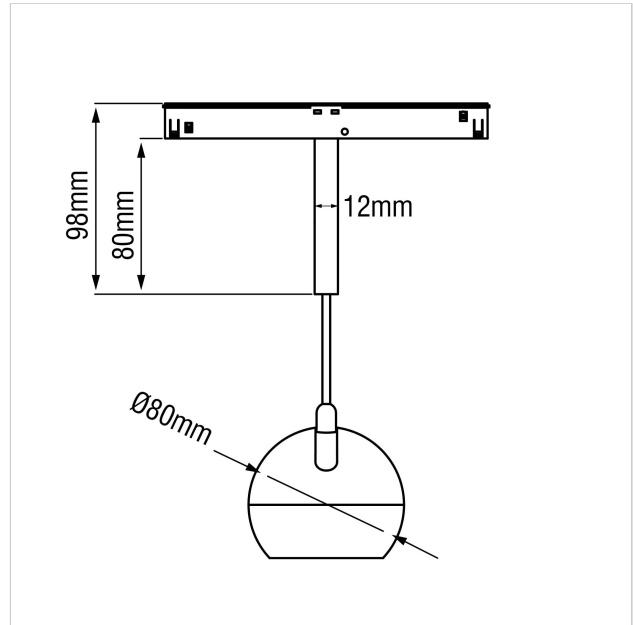


# Dea Eros-Q1/Q2 S PE



<b>SKU</b>	: Q509DB92724GOF0
<b>Housing material</b>	: Aluminum Die Cast
<b>Luminaire Color</b>	: Black
<b>Optic</b>	: Reflector
<b>Reflector Color</b>	: Gold
<b>Power supply</b>	: Included ON/OFF
<b>Luminous Flux (lm)</b>	: 790lm
<b>System power</b>	: 10.5W
<b>System efficiency</b>	: 75lm/W
<b>Beam angle (°)</b>	: 24°
<b>CCT (K)</b>	: 2700K
<b>CRI</b>	: 90
<b>Chromaticity tolerance</b>	: 3 MacAdam
<b>Mains Voltage</b>	: 220-240V / 50 -60Hz
<b>EI. Class</b>	: Class III
<b>Lifetime</b>	: 50000h
<b>IP rating</b>	: IP20
<b>Light source energy class</b>	:
<b>Light source identifier</b>	:
<b>Net. Weight</b>	: 0.275Kg
<b>Warranty</b>	: 5Y

All rated values @ ambient temperature of 25° C. Electric and photometric values are initially subject to a tolerance of +/- 10%. Tolerance of color temperature +/- 150K. Technical data can change without prior notice.

©2022 Karizma Luce BV. All rights reserved. Please visit [karizmaluce.com](http://karizmaluce.com) for more information.