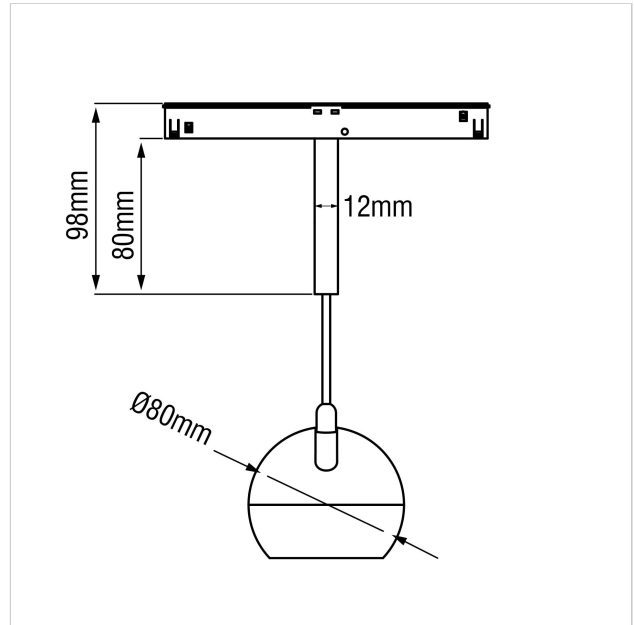


Dea Eros-Q1/Q2 S PE



| | |
|---------------------------|-----------------------|
| SKU | : Q509DB93024WHF0 |
| Housing material | : Aluminum Die Cast |
| Luminaire Color | : Black |
| Optic | : Reflector |
| Reflector Color | : White |
| Power supply | : Included ON/OFF |
| Luminous Flux (lm) | : 790lm |
| System power | : 10.5W |
| System efficiency | : 75lm/W |
| Beam angle (°) | : 24° |
| CCT (K) | : 3000K |
| CRI | : 90 |
| Chromaticity tolerance | : 3 MacAdam |
| Mains Voltage | : 220-240V / 50 -60Hz |
| EI. Class | : Class III |
| Lifetime | : 50000h |
| IP rating | : IP20 |
| Light source energy class | : |
| Light source identifier | : |
| Net. Weight | : 0.275Kg |
| Warranty | : 5Y |

All rated values @ ambient temperature of 25° C. Electric and photometric values are initially subject to a tolerance of +/- 10%. Tolerance of color temperature +/- 150K. Technical data can change without prior notice.

©2022 Karizma Luce BV. All rights reserved. Please visit karizmaluce.com for more information.