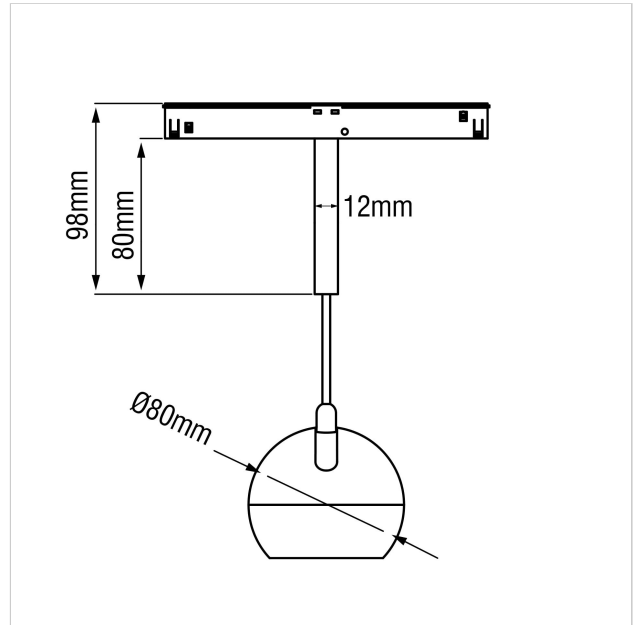


# Dea Eros-Q1/Q2 S PE



|                           |                       |
|---------------------------|-----------------------|
| SKU                       | : Q509DB92724BMF0     |
| Housing material          | : Aluminum Die Cast   |
| Luminaire Color           | : Black               |
| Optic                     | : Reflector           |
| Reflector Color           | : Black Matt          |
| Power supply              | : Included ON/OFF     |
| Luminous Flux (lm)        | : 790lm               |
| System power              | : 10.5W               |
| System efficiency         | : 75lm/W              |
| Beam angle (°)            | : 24°                 |
| CCT (K)                   | : 2700K               |
| CRI                       | : 90                  |
| Chromaticity tolerance    | : 3 MacAdam           |
| Mains Voltage             | : 220-240V / 50 -60Hz |
| EI. Class                 | : Class III           |
| Lifetime                  | : 50000h              |
| IP rating                 | : IP20                |
| Light source energy class | :                     |
| Light source identifier   | :                     |
| Net. Weight               | : 0.275Kg             |
| Warranty                  | : 5Y                  |

All rated values @ ambient temperature of 25° C. Electric and photometric values are initially subject to a tolerance of +/- 10%. Tolerance of color temperature +/- 150K. Technical data can change without prior notice.

©2022 Karizma Luce BV. All rights reserved. Please visit [karizmaluce.com](http://karizmaluce.com) for more information.