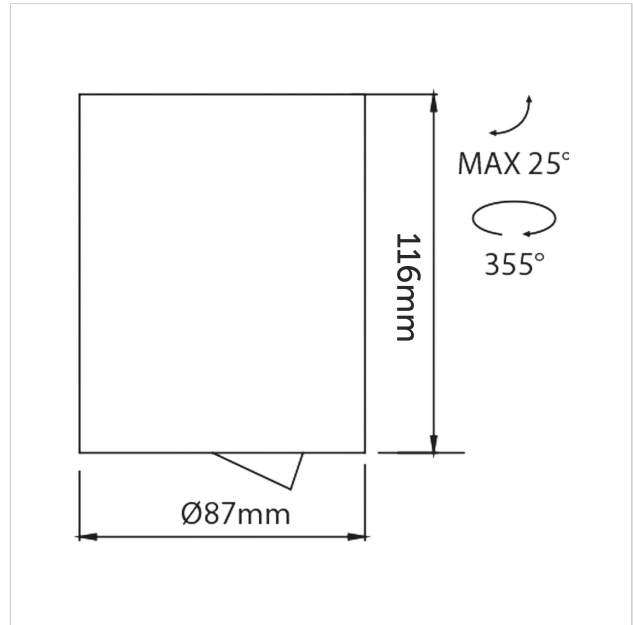


# Dea Flora S



|                               |                       |
|-------------------------------|-----------------------|
| <b>SKU</b>                    | : 402DW93040BMF0      |
| <b>Housing material</b>       | : Aluminum Die Cast   |
| <b>Luminaire Color</b>        | : White               |
| <b>Optic</b>                  | : Reflector           |
| <b>Reflector Color</b>        | : Black Matt          |
| <b>Power supply</b>           | : Included ON/OFF     |
| <b>Luminaire dimension</b>    | : Ø87x116mm           |
| <b>Cut out dimension</b>      | : N/A                 |
| <b>Luminous Flux (lm)</b>     | : 800 lm              |
| <b>LED power</b>              | : N/A                 |
| <b>System power</b>           | : 10.5W               |
| <b>System efficiency</b>      | : 76lm/W              |
| <b>Beam angle (°)</b>         | : 40°                 |
| <b>CCT (K)</b>                | : 3000K               |
| <b>CRI</b>                    | : 90                  |
| <b>Chromaticity tolerance</b> | : 3 MacAdam           |
| <b>Nominal fA</b>             | : N/A                 |
| <b>Nominal fV</b>             | : N/A                 |
| <b>Mains Voltage</b>          | : 220-240V / 50 -60Hz |
| <b>El. Class</b>              | : Class II            |
| <b>Lifetime</b>               | : 50000h              |
| <b>IP rating</b>              | : IP20                |

---

|                                  |                            |
|----------------------------------|----------------------------|
| <b>Light source energy class</b> | : E                        |
| <b>Light source identifier</b>   | : CLU028-1204C4-303H5M3-F1 |
| <b>Net. Weight</b>               | : 0.58Kg                   |
| <b>Warranty</b>                  | : 5Y                       |

---

All rated values @ ambient temperature of 25° C. Electric and photometric values are initially subject to a tolerance of +/- 10%. Tolerance of color temperature +/- 150K. Technical data can change without prior notice.

©2022 Karizma Luce BV. All rights reserved. Please visit [karizmaluce.com](http://karizmaluce.com) for more information.