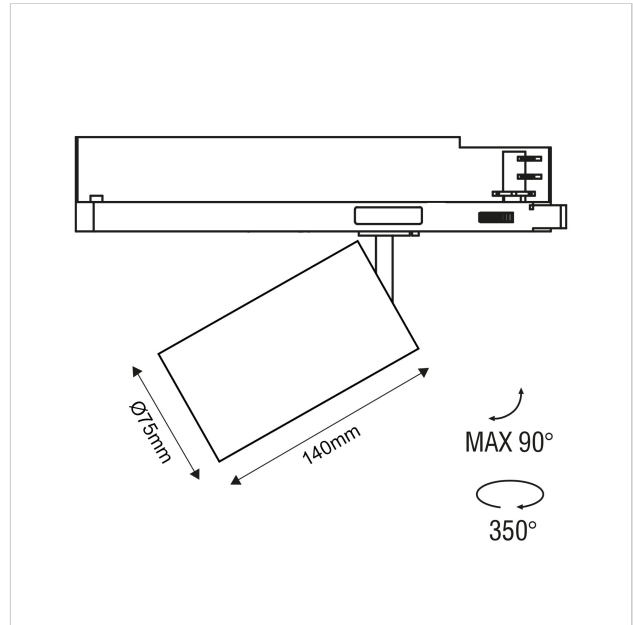


# Dea Juno M



SKU	: 607GB92740COF0
Housing material	: Aluminum Die Cast
Luminaire Color	: Black
Optic	: Reflector
Reflector Color	: Copper
Power supply	: Included ON/OFF
Luminaire dimension	: Ø75x140mm
Cut out dimension	: N/A
Luminous Flux (lm)	: 1600 lm
LED power	: N/A
System power	: 20W
System efficiency	: 80lm/W
Beam angle (°)	: 40°
CCT (K)	: 2700K
CRI	: 90
Chromaticity tolerance	: 3 MacAdam
Nominal fA	: N/A
Nominal fV	: N/A
Mains Voltage	: 220-240V / 50 -60Hz
El. Class	: Class II
Lifetime	: 50000h
IP rating	: IP20

---

<b>Light source energy class</b>	: F
<b>Light source identifier</b>	: CLU028-1204C4-273H5M3-F1
<b>Net. Weight</b>	: 0.68Kg
<b>Warranty</b>	: 5Y

---

All rated values @ ambient temperature of 25° C. Electric and photometric values are initially subject to a tolerance of +/- 10%. Tolerance of color temperature +/- 150K. Technical data can change without prior notice.

©2022 Karizma Luce BV. All rights reserved. Please visit [karizmaluce.com](http://karizmaluce.com) for more information.