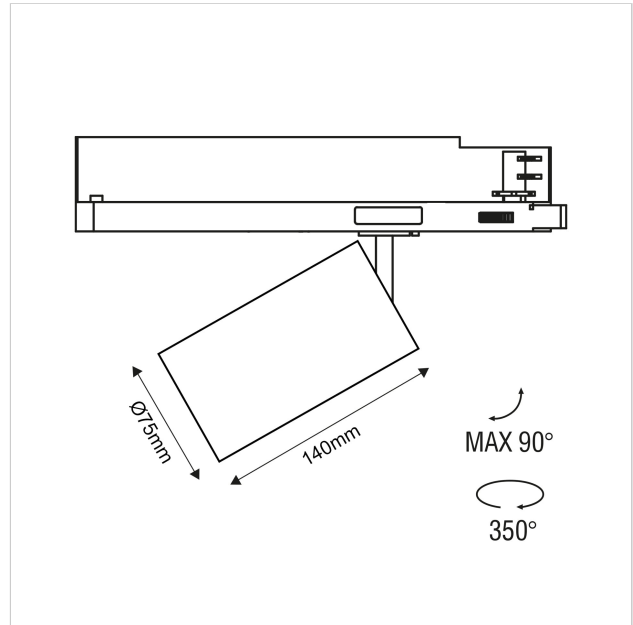


Dea Juno M



| | |
|-------------------------------|-----------------------|
| SKU | : 607HB94040SGF0 |
| Housing material | : Aluminum Die Cast |
| Luminaire Color | : Black |
| Optic | : Reflector |
| Reflector Color | : Silver High Gloss |
| Power supply | : Included ON/OFF |
| Luminaire dimension | : Ø75x140mm |
| Cut out dimension | : N/A |
| Luminous Flux (lm) | : 1800 lm |
| LED power | : N/A |
| System power | : 20W |
| System efficiency | : 90lm/W |
| Beam angle (°) | : 40° |
| CCT (K) | : 4000K |
| CRI | : 90 |
| Chromaticity tolerance | : 3 MacAdam |
| Nominal fA | : N/A |
| Nominal fV | : N/A |
| Mains Voltage | : 220-240V / 50 -60Hz |
| EI. Class | : Class II |
| Lifetime | : 50000h |
| IP rating | : IP20 |

| | |
|----------------------------------|----------------------------|
| Light source energy class | : E |
| Light source identifier | : CLU028-1204C4-403H5M3-F1 |
| Net. Weight | : 0.68Kg |
| Warranty | : 5Y |

All rated values @ ambient temperature of 25° C. Electric and photometric values are initially subject to a tolerance of +/- 10%. Tolerance of color temperature +/- 150K. Technical data can change without prior notice.

©2022 Karizma Luce BV. All rights reserved. Please visit karizmaluce.com for more information.