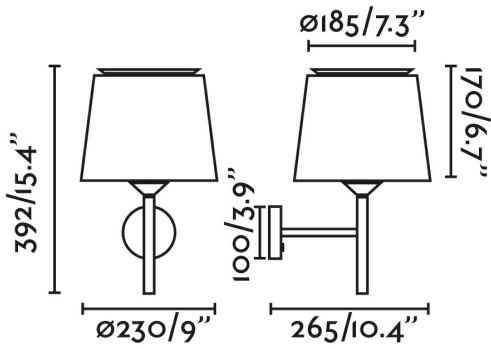




|                        |            |
|------------------------|------------|
| Mounting               | Wall       |
| Voltage (V)            | 100V-240V  |
| Hertz                  | 50/60Hz    |
| Class                  | II         |
| IP                     | 20         |
| Power (W)              | 15         |
| Light source           | E27 LED    |
| Light source included  | No         |
| Number of lamp holders | 1          |
| Switch type            | On/Off     |
| Structure material     | Steel      |
| Shade material         | Textile    |
| Structure finish       | Matt Black |
| Shade finish           | Black      |

[Installation instructions](#)



**Recommended bulbs**



**A60 LED**

|                       |           |
|-----------------------|-----------|
| Reference             | 17463     |
| Voltage (V)           | 220V-240V |
| Hertz                 | 50/60Hz   |
| Power (W)             | 8         |
| Luminous Flux (lm)    | 800       |
| Color temperature (K) | 2700K     |



**A60 TUYA**

|                       |           |
|-----------------------|-----------|
| Reference             | 17498     |
| Voltage (V)           | 220V-240V |
| Hertz                 | 50/60Hz   |
| Power (W)             | 7         |
| Luminous Flux (lm)    | 806       |
| Color temperature (K) | 2700K     |



