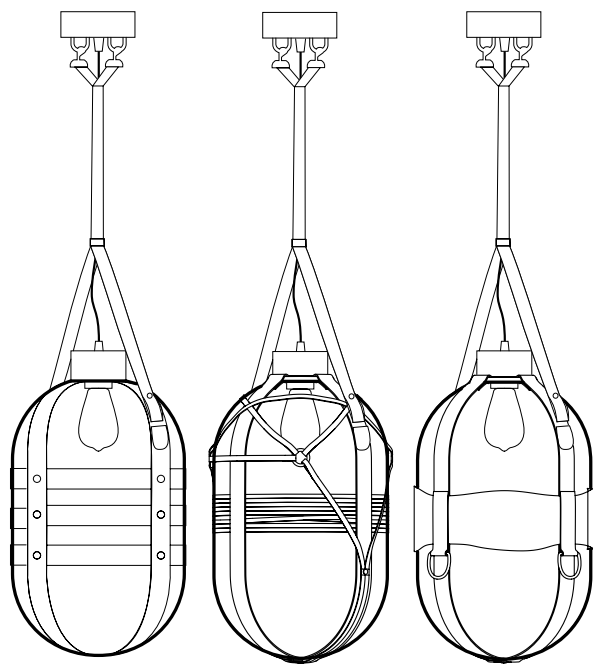


tied-up romance

Design by
Kateřina Handlová



bomma

bomma.cz

TECHNICAL SHEET

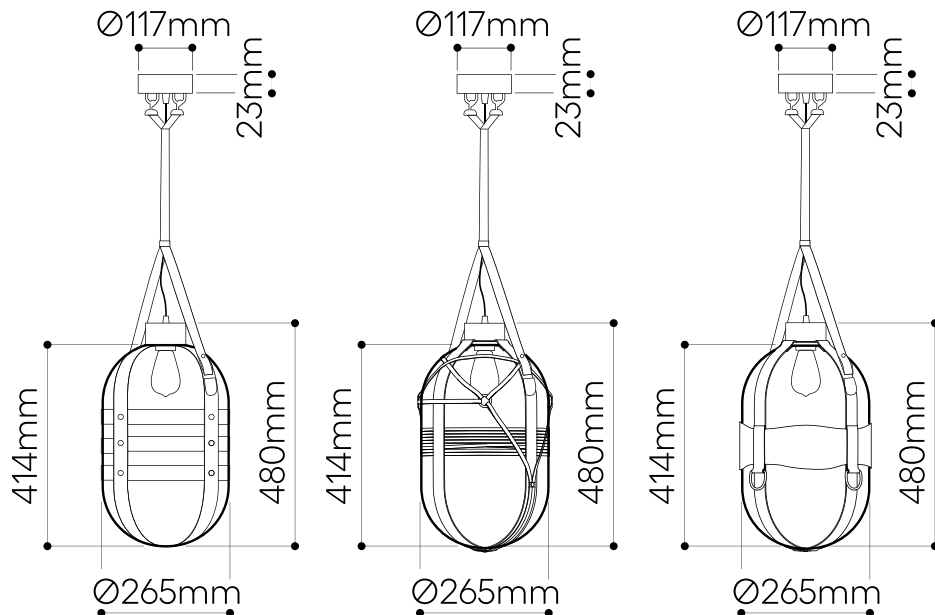
TIED-UP ROMANCE

pendant type A, B, C

Design by
Kateřina Handlová

Handmade glass attributes

All Bomma products are hand-made from mouth-blown lead-free crystal. Therefore any small bubbles, non-melts and irregularities in the glass are both proof and a characteristic feature of this traditional craft.



LIGHTING DESCRIPTION

Size	dia. 265 mm, H 480 mm dia. 10,4 inch, H 18,9 inch
Cable	black or brown textile braid 2,5 m / 98,4 inch
Weight	+ - 6 kg / 13,2 lb
Glass	mouth-blown lead-free crystal in clear
Mounting	black (brass with black powder coating) gold (polished brass)
Protection	IP 20
Nominal voltage	220-240V / A.C. 50 hz (EU) 110-120 V / A.C. 60 Hz (USA)
Class	II. EU / I. USA

LIGHT SOURCE

Type	ST64, 6W LED, 600 lm (EU)
Base	E27 EU / E26 USA
Wattage	max. 13W
Temperature	2700 K
Color index	RA 90+
Dimming	Dimmable with TRIAC ; on demand dimmable with DALI, RF/WIFI, for information on dimming with other systems please contact your Bomma partner.

PACKAGING

Material	Cardboard
Size	620 × 320 × 320 mm 24,4 × 12,6 × 12,6 inch
Origin: traditionally produced in the Czech Republic Intellectual property license holder: Bomma Czech Republic (EU) Represented by BMRC group s.r.o.	

CERTIFICATES

